

普通型干燥机 Hopper Dryers

THD



● 特点 Features

- 原料接触面为全不锈钢设计，确保原料不被染。
- 精密压铸的铝质外壳，表面光滑，保温性能好。
- 隔尘静音风机可隔绝尘埃，确保原料不受污染。
- 桶体机座设计有视料窗，可直接观察内部工作情况。
- 上吹式干燥机发热管弯型设计，避免因原料落入管内而引起发热管损坏。
- 采用均匀分散热风之高性能热风扩散装置，保持塑料干燥温度均匀，增加干燥效率。
- 桶身与料斗采分离式设计，方便清料的。
- 具有超温超载等安全保护装置。
- 配备入料口盖，方便吸料机的安装。

- All material contact surfaces are made of stainless steel to avoid material contamination.
- Precise aluminum casting hopper barrel features smooth surface & good performance on temperature keeping.
- Sound-proof blower with anti-dust design eliminates dust for ensuring material free from contamination.
- Hopper barrel is fitted with see-through windows to observe inside material level.
- Hot air inlet elbow design can prevent dust piling up at the bottom of the heaters to avoid burning.
- To adopt hot air diffuser for acquiring an even hot air flow to improve drying efficiency.
- Hopper barrel separated from its base for easy cleaning.
- Safety device with overheat and overload protection.
- Equipped with the flap, convenient suction machine installation.

主要用于塑料颗粒的干燥。用高温热风处理各种潮湿的原料，使原料充分干燥，确保产品质量。装料容量从12~300公斤可供选择。可加装排风过滤(选配)，过滤粉尘气体避免空气污染，确保工作环境之整洁。加装热风回收(选配)，使热风形成半封闭循环回路，加速热风循环速度，能降低损耗，省电30%。

Hopper Dryers are mainly applied to plastic material drying. Hot air is used to dry all wet materials which gain an even hot air flow to improve drying efficiency for assuring quality of products. Hopper capacities rang from 12kgs ~300kgs can be offered for selection. Exhaust air filter (option) can filter the dust-contain air effectively from discharging to the surrounding area. Hot air recyclers (option) to make hot air form a semi-closed circulated loop to speed up hot air circulation for shorten heating time to achieve energy saving up to 30%.

● 选择加装配件 Options



磁力底座
Magnetic Seat



料斗磁石磁力架
Hopper Magnet



热风回收装置
Hot Air Recycler



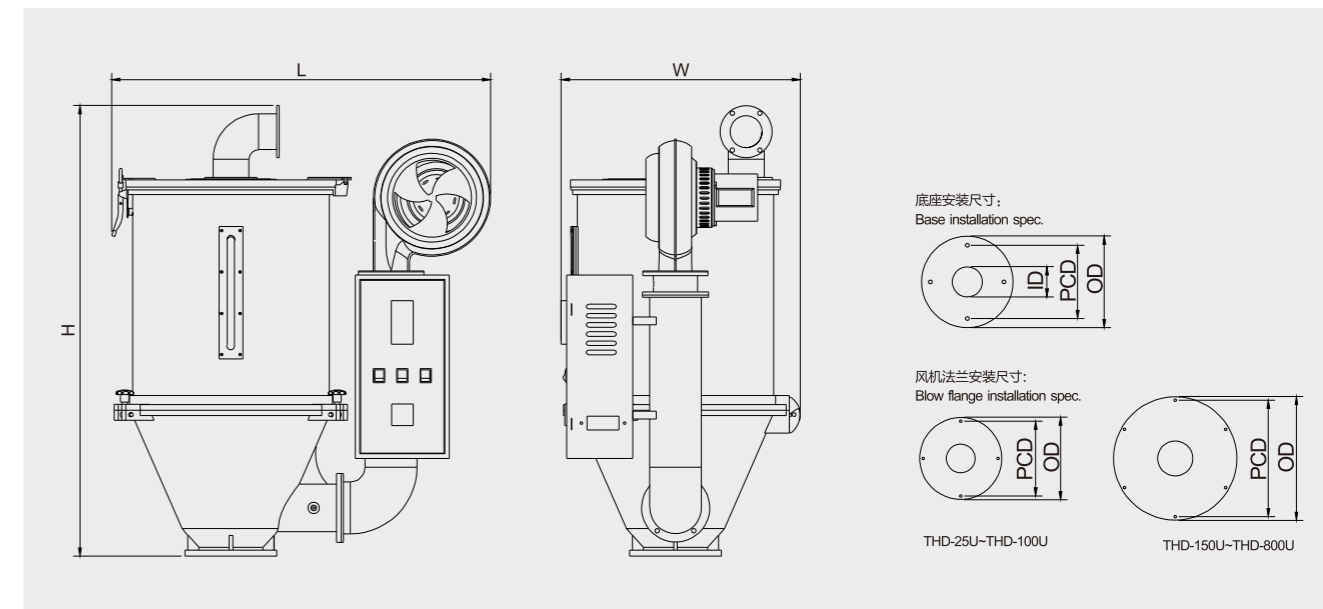
排风过滤器
Exhaust Air Filter



吸料盒
Material suction box



脚架
Floor Stand



● 规格表 Specification Sheet

产品型号Model		THD-12U	THD-25U	THD-50U	THD-75U	THD-100U	THD-100U	THD-200U	THD-300U
料筒容量 Hopper Capacity	KG	12	25	50	75	100	150	200	300
风机功率 Blower Power	W	75	135	155	155	215	215	320	320
电热功率 Heater Power	KW	1.8	3.0	4.0	4.0	6.0	9.0	12.0	15.0
干燥温度 Drying Temp	℃	最高150℃							
出口口径 Outlet Size	inch	2.5	2.5	2.5	2.5	2.5	2.5	2.5	3.5
桶身直径 Hopper Body Dia	M	0.295	0.347	0.423	0.495	0.562	0.6	0.687	0.759
法兰ID直径 Flange ID Dia	M	0.042	0.0615	0.074	0.074	0.081	0.081	0.11	0.11
法兰PCD直径 Flange PCD Dia	M	根据实际开孔 Openings according to the actual							
法兰OD直径 Flange OD Dia	M	0.13	0.17	0.2	0.2	0.23	0.23	0.25	0.295
风机PCD直径 Blower PCD Dia	M	0.136	0.163			0.208		0.254	
风机OD直径 Blower OD Dia	M	0.148	0.18			0.22		0.27	
系统电源 Power Supply	V	380VAC 3P/PE 50Hz							
控制电源 Control Voltage	V	220VAC 1P/PE 50Hz							
总功率 Total Power	KW	2	3.5	4.5	4.5	6.4	9.4	12.5	15.5
电源线规格 Wires Specification	mm2	5 × 1.5		5 × 2.5	4 × 4 + 1 × 2.5		4 × 6 + 1 × 4		
电源线长度 Wires Length	M	5							
外形尺寸 Dimensions	L(m)	0.66	0.749	0.830	0.9	1	1.04	1.23	1.28
	W(m)	0.42	0.48	0.52	0.55	0.661	0.635	0.685	0.765
	H(m)	0.8	0.994	1.165	1.263	1.335	1.533	1.695	1.847
机器重量 Weight	KG	21	34	38	46	59	85	114	140
选配配件 Optional Accessories		1.磁力底座Magnetic Seat		2.磁力架Hopper Magnet		3.热风回收过滤器Hot Air Recycler		4.排风过滤器Exhaust Air Filter	
		5.L型脚架L Type Floor Stands		6.A型脚架A Type Floor Stands		7.吸料箱Material Suction Box			

产品编号如 "THD-12U" 表示不带定时器; "THD-12UT" 表示带定时器
注: 产品规格若有变更, 恕不另行通知。 We reserve right to change specifications without prior notice.