

强力型粉碎机 TGP系列 TGP Series Powerful Granulators

TGP



特别适用于各类硬性塑胶之粉碎再利用，效果更佳。刀架优化设计，又分为片刀型，爪刀型和平刀型。爪型刀可分散受力度，使得每片刀的剪切加大，尤其适合厚件产品及大块胶头，硬质料块等，有效的提高了刀具切削力、减少刀具磨损。设有电控安全设计，多项安全保护装置，确保操作安全。

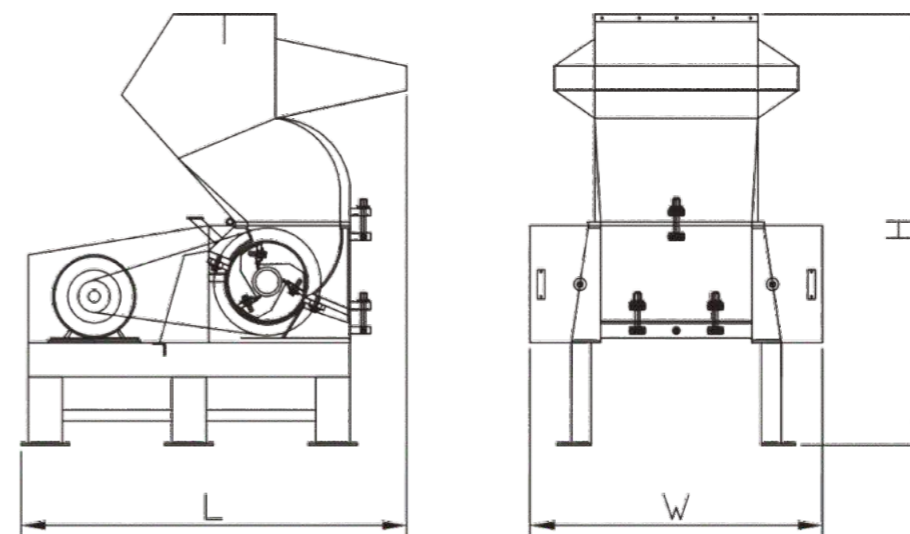
Powerful Sound – Proof Granulators are specially designed for crushing various rigid plastics to recycle with high-efficiency. Superior cutter design has 3 types – flake, flat and claw type. Claw cutter has the characteristics of scattering force even to make each blade giving strong shearing force to reduce cutter wear, especially are suitable for hard & thick products cutting. The granulators are specially designed with multiple electricity safety devices to ensure safety protection.

● 特点 Features

- 适合粉碎大块的各种材质形状的不良品，可集中粉碎回收。
- 马达附有过负荷保护装置，并有电源连锁保护系统，附有清洁刀具保护装置操作、清洗绝对安全；确保维护人员的安全。
- 刀具材质采用进口优质SKD-11(选配) .经久耐用。
- 筛网孔径10HP及以下标准配置为8MM，15HP及以上标准配置为10MM，其他规格可接受订做。
- 设计独特，马力最小，效率却佳，并备有双层消音设备，噪音低。
- 粉碎透明料和白色料时，进料斗和筛网需订做不锈钢，以免在粉碎时油漆脱落，污染原料影响颜色。
- 易拆式设计：进料斗，碎料刀，过滤网均可拆卸，易清洗。

- All models are suitable for granulating big & different material & different shape of defect plastic parts, can be collected to granulate together for recycling use.
- The motor is equipped with overload protector & interlock power protection safety device & granulator is equipped with cleaning cutter protection safety device for ensuring operators' safety.
- Cutters are made of SKD-11(option) with long service life.
- The standard screen mesh size for 10HP & below is 8mm; for 15HP & above is 10mm. Other spec can be customized according to customers' requirements.
- Unique design realizes that the power is smallest but the efficiency is highest. It is also equipped with double-silencer to achieve low noise.
- Feeding hopper and screener need to be made of stainless steel in order to avoid painting peeling off to make material contamination for effecting color.
- Easy disassembly design – feeding hopper, cutters and screener easily dismantle for cleaning.

● 产品结构图 Product Structure Diagram



● 规格表 Specification Sheet

1.片刀 flake blade (-P)

产品型号 MODEL	TGP-2320P-5HP	TGP-3120P-7.5HP	TGP-4123P-10HP	TGP-5129P-15HP	TGP-6132P-20HP	TGP-8147P-30HP/40HP
马达功率 Motor Capacity/HP/KW	5/4	7.5/5.5	10/7.5	15/11	20/15	30/22 40/30
刀腔尺寸 Blade size	220 × 200	300 × 200	410 × 220	500 × 290	600 × 320	815 × 470
最大粉碎能力 Mix Crushing Ability(kg/h)	100	150	200	300	350	450
外型尺寸 Dimensions (L × W × H) (m)	0.97 × 0.61 × 1.2	1.0 × 0.72 × 1.29	1.03 × 0.84 × 1.39	1.230 × 1.01 × 1.63	1320 × 1110 × 1830	1.73 × 1.49 × 2.3
重量 Weight (kg)	290	435	450	820	970	2100

2.爪刀 claw blade (-C)

产品型号 MODEL	TGP-3626C-10HP	TGP-4228C-15HP	TGP-4833C-20HP	TGP-6635C-30HP	TGP-7250C-50HP	TGP-9182C-75HP
马达功率 Motor Capacity/HP/KW	10/7.5	15/11	20/15	30/22	50/37	75/55
刀腔尺寸 Blade size	360 × 260	420 × 280	480 × 330	660 × 350	720 × 500	910 × 820
最大粉碎能力 Mix Crushing Ability(kg/h)	200	300	350	450	700	900
外型尺寸 Dimensions (L × W × H) (m)	1.06 × 0.83 × 1.44	1.27 × 0.9 × 1.6	1.37 × 0.98 × 1.79	1.57 × 1.32 × 2.0	1.870 × 1.51 × 2.48	2.36 × 1.92 × 3.7
重量 Weight (kg)	500	795	1040	1700	2750	4200

3.平刀 flat blade (-F)

产品型号 MODEL	TGP-3626F-10HP	TGP-4228F-15HP	TGP-4833F-20HP	TGP-6635F-30HP	TGP-7250F-50HP	TGP-9182F-75HP	TGP-10582F-75HP
马达功率 Motor Capacity/HP/KW	10/7.5	15/11	20/15	30/22	50/37	75/55	75/55
刀腔尺寸 Blade size	360 × 260	420 × 280	480 × 330	660 × 350	720 × 500	910 × 820	1050 × 820
最大粉碎能力 Mix Crushing Ability(kg/h)	200	300	350	450	700	900	1350
外型尺寸 Dimensions (L × W × H) (m)	1.06 × 0.83 × 1.44	1.27 × 0.9 × 1.6	1.37 × 0.98 × 1.79	1.57 × 1.32 × 2.0	1.870 × 1.51 × 2.48	2.36 × 1.92 × 3.7	2.51 × 2.06 × 3.7
重量 Weight (kg)	500	765	940	1640	2700	4050	5350

注：产品规格若有变更，恕不另行通知 We reserve right to change specifications without prior notice