

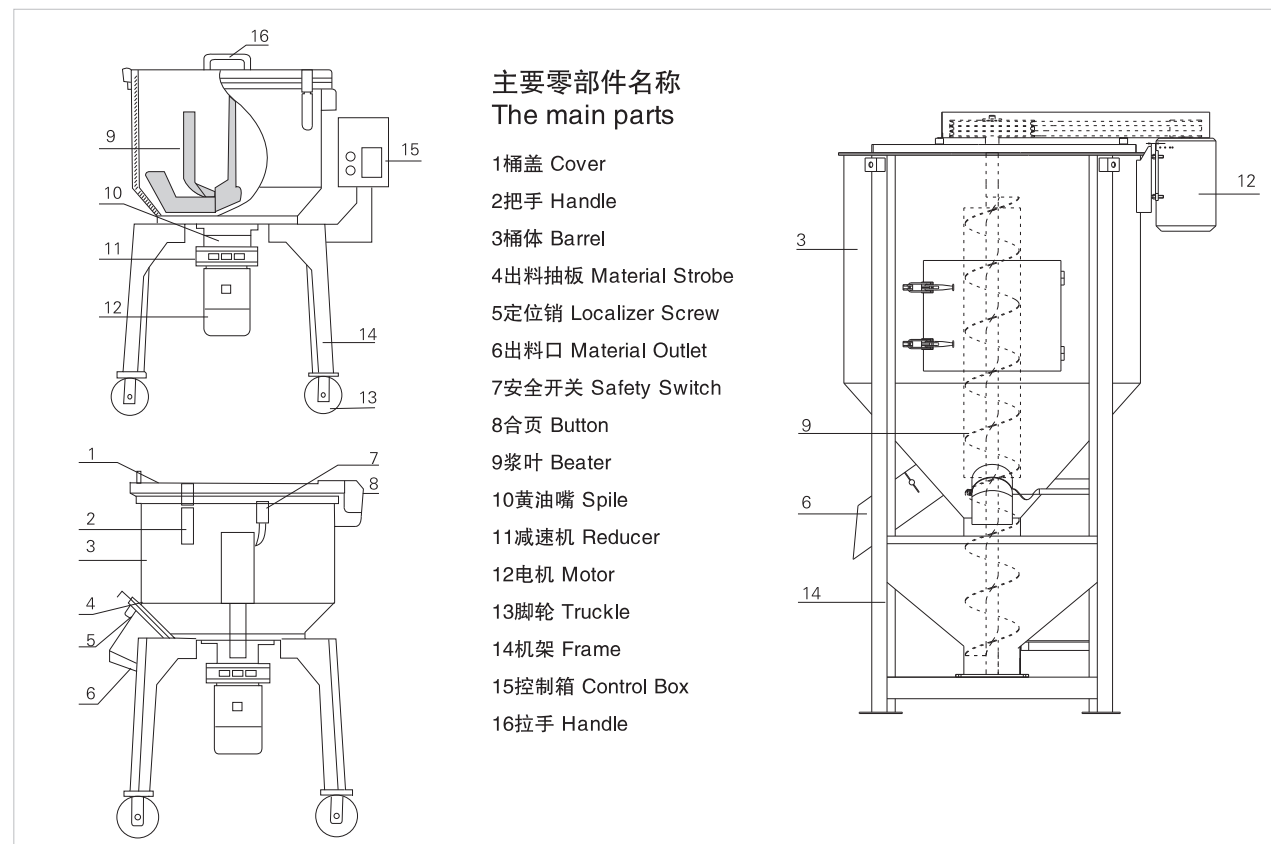
混色机 Mixer

ISO9001:2000 CE SGS

SML 斯曼尔
www.nb-sml.com
sales@nb-sml.com



安装示意图 Diagram of installation



主要零部件名称 The main parts

- 1桶盖 Cover
- 2把手 Handle
- 3桶体 Barrel
- 4出料抽板 Material Strobe
- 5定位销 Localizer Screw
- 6出料口 Material Outlet
- 7安全开关 Safety Switch
- 8合页 Button
- 9桨叶 Beater
- 10黄油嘴 Spile
- 11减速机 Reducer
- 12电机 Motor
- 13脚轮 Truckle
- 14机架 Frame
- 15控制箱 Control Box
- 16拉手 Handle

性能特点 Performance characteristic

- 双层不锈钢桨，立体设计，搅拌快速，均匀；
 - 可拆式桨叶，不锈钢搅拌室，清洗方便；
 - 电机直接驱动，搅拌效率高；
 - 直立式设计，占地少，卸料容易；
 - 自动停止装置，可设定0-30分钟自动停止；
 - 多重安全保护装置，确保操作者安全。
- Double-layer stainless steel, vertical design fast and even stirring.
 - Dismountable beater, stainless steel stirring room to facilitate cleaning.
 - Directly driven by the motor and high stirring efficiency.
 - Vertical design, less land occupied, easy dismounting.
 - Automatic stop device, automatic stop in 0-30 minutes can be set.
 - Multi safety protection device to ensure the operator safe.

规格表: Specifications

| 型号 Model | 电机功率 Moter Power (Kw) | 装料量 Capacity (kg) | 电源 Power (v) | 搅拌方式 Mix Type | 外型尺寸 External Dimensions (mm) | 重量 Weight (kg) |
|-------------|-----------------------------|-------------------------|--------------------|-------------------|-------------------------------------|----------------------|
| SST-50 | 1.5 | 50 | AC3 50/60HZ | 滚桶式 Roll Type | 830×830×1120 | 130 |
| SST-100 | 3 | 100 | AC3 50/60HZ | | 1000×1000×1280 | 190 |
| SSB-50 | 1.5 | 50 | AC3 50/60HZ | 桨片式 Vane Type | 830×830×1120 | 130 |
| SSB-100 | 3 | 100 | AC3 50/60HZ | | 1000×1000×1280 | 190 |
| SSB-150 | 4 | 150 | AC3 50/60HZ | | 1130×1130×1380 | 250 |
| SSB-200 | 5.5 | 200 | AC3 50/60HZ | | 1200×1200×1500 | 320 |
| SSM-300 | 1.5 | 300 | AC3 50/60HZ | 螺杆式 Screw Type | 1450×1100×2000 | 400 |
| SSM-500 | 2.2 | 500 | AC3 50/60HZ | | 1450×1100×2500 | 500 |
| SSM-1000 | 4 | 1000 | AC3 50/60HZ | | 1580×1380×3100 | 750 |
| SSM-1500 | 5.5 | 1500 | AC3 50/60HZ | | 1890×1680×3470 | 1000 |
| SSM-2000 | 7.5 | 2000 | AC3 50/60HZ | | 1890×1680×3470 | 1000 |
| | | | | | 2000×2000×3500 | 1300 |