

# 水式模温机 Water Type Mold Temperature Controllers

TTW

## ● 特点 Features

- 电控箱与机身隔离，隔热效果佳，电器使用寿命长。
- 模温机专用触摸屏控制器，控温更合理，省电35%以上。
- 安全保护及故障指示系统完善，维修方便，无需专业人员。
- 进口高级组件，使用寿命长。
- 升降温速度快，温度精确稳定，可达±0.1℃。
- 独特的加热设计，适合不同温控场所使用，节能效果明显。
- 主管路采用304不锈钢一体成型，管损小，加热均匀，使用寿命长。
- 开机自动排气功能。
- 吹气回水功能。

• Electronic control panel and machine body are isolated to acquire good effects on heat insulation in order to extend the service life of electrical components.

• P.I.D multi-stage temperature control system can save power up to 35% thanks to control temperature accurately & reasonably.

• Perfect safety protection and error indication display which are easy maintained and repaired, even without professionals can do it.

• Imported hi-class parts with long service life.

• Rapid heating and cool down speeds lead temperature to be kept precisely and stably with accuracy up to ±0.1.

• Unique heating design are suitable to different temperature control application with excellent & distinct power saving.

• 304 stainless steel integrated pipelines with less pipe resistance and even heating for long service life.

• Automatic air-exhausting function after startup.

• Air blowing and return water function.



使用水为传热媒介，以直接（低温型）或间接冷却（高温型）方式达到热交换。具有热传导效率高，污染少，水资源容易取得，使用成本低等优点。标准型温度控制达120~180℃。

Water Type Mold Temperature Controllers use water as heating media to realize heat exchange by direct cooling for standard temperature control from 120~180℃. Water type has its superiorities with high efficient heat transmission, less pollution, water resource easy to be attained with low cost.

## ● 安全保护及指示系统 Safety Protecting and Indiction System

安全保护及指示系统  
Safty Protection and Indiction System

电源欠相保护  
Power lack-phase protection

总电源保护及指示灯  
Power supply protection and indicating lamp

泵反转保护及指示灯  
Pump reverse protection and indicating lamp

泵过载保护及指示灯  
Pump overload protection and indicating lamp

缺水保护及指示灯  
Water shortage protection and indicating lamp

过热保护及指示灯  
Overheat protection and indicating lamp

热水By-pass压力回路  
Hot water by-pass pressure release loop

强制冷却  
Forced cooling

温度异常警报  
Abnormal temperature alarm

异常警报蜂鸣器  
Abnormal alarm buzzer

## ● 选择加装配件 Options

感温棒接到外部配线  
Thermocouplen for connecting external wiring

大型水质过滤器  
Large water filter

防漏电保护开关  
Leakage protection switch

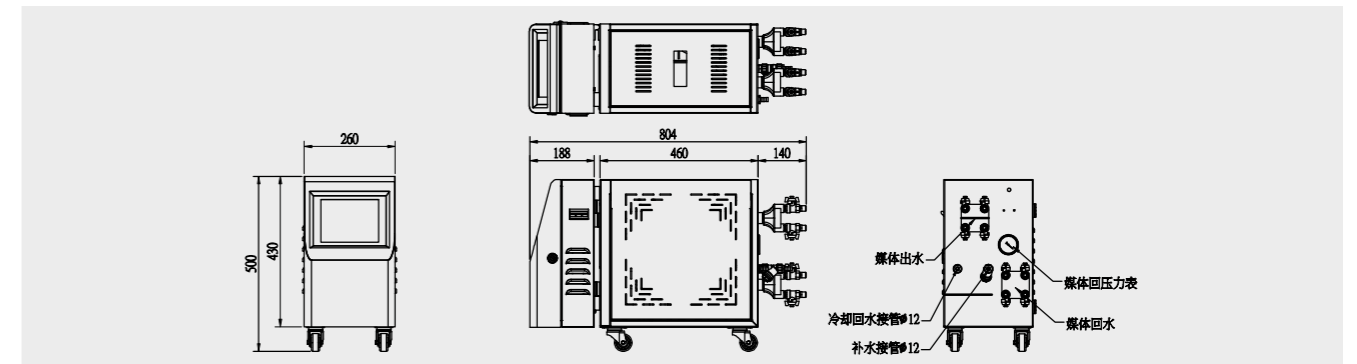
电压异常保护开关  
Abnormal voltage protection switch

铁弗龙管  
Teflon hose

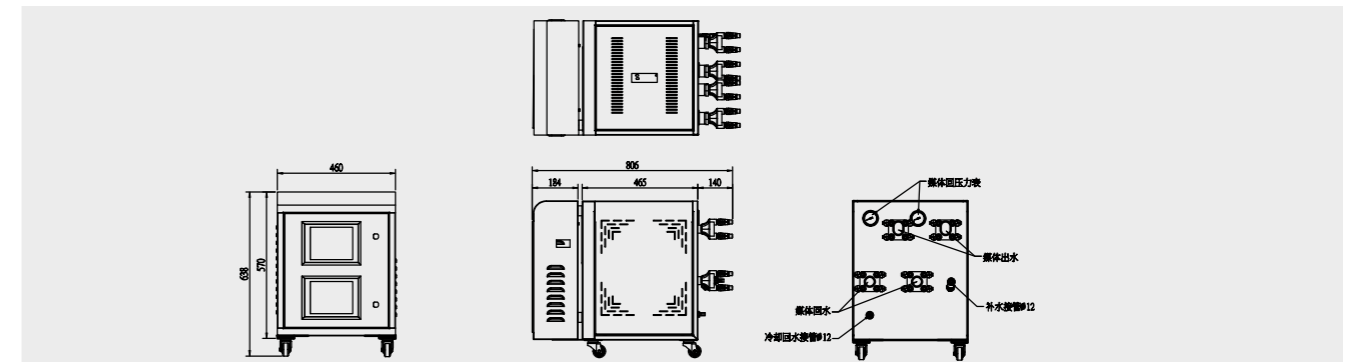


## ● 产品结构图 Product Structure Diagram

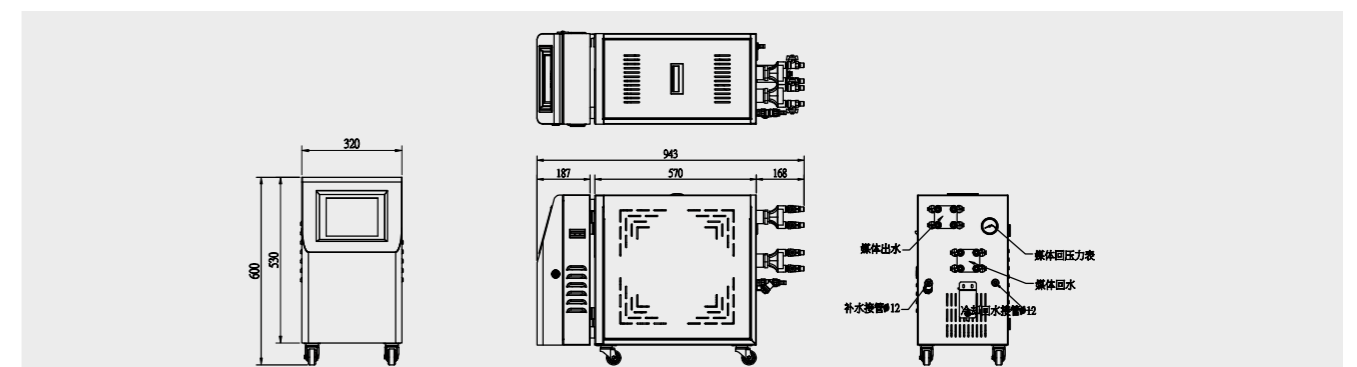
### 1、TTW-1210B(不含选购件)



### 2.TTW-1210DB(不含选购件)



### 3、TTW-1220B/1230B(不含选购件)



### 4.TTW-1610B/1810B(不含选购件)

