

## 慢速静音粉碎机 TGL系列 TGL Series Low Speed Sound-Proof Granulators

TGL



属于无筛网型塑胶回收粉碎机。25~30 rpm低速运转，齿啃式刀具设计，专门设计用于粉碎各类硬性及易脆塑胶之不良产品，次品的机边粉碎回收利用；尤其适合粉碎回收PC、尼龙、ABS等硬质水口料。具有转速低，扭矩大，噪音低，产生粉尘少，操作简便的优点，而且具备产品粉碎颗粒均匀，粉碎效果极佳，设备运转中无过热现象，使用寿命长等特点。

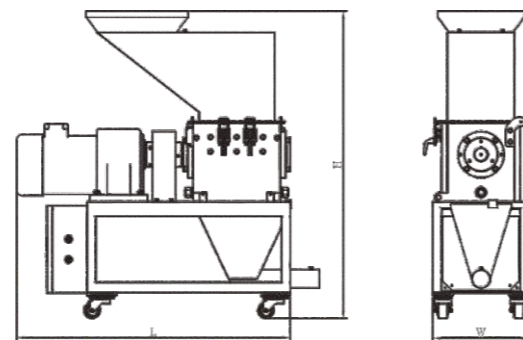
As Low Speed Sound-Proof Granulators are non-mesh slow speed plastic recycling units with 25~30rpm which specially designed with teeth cutters for crushing various defective products made of rigid plastics and brittle plastics such as PC, nylon, ABS and so on. All these models are characterized with low speed & high torque, low noise, less powder pollution, easy operation, granulating in even, no-overheating in operation

### ● 特点 Features

- 无筛网设计，碎料均匀粉末少。
- 结构合理，小巧占用空间小，适合狭小空间机台旁使用。
- 刀具材质采用优质SKD-11(选配).经久耐用。
- 30S立即回收可减少对水口料的湿化，氧化等破坏。
- 25~30RPM低速运转，省电，无噪音公害。
- 中空轴型齿轮减速电动机驱动，无需加油节省空间。
- 本系列粉碎机适合回收PC，PBT，ABS，尼龙等硬质水口料。

- Non - mesh screen design ,well-proportioned granules and less powderpollution.
- Optimized structure of machine with small footprint which is especially suitable for the limited space of workshop to use.
- Both rotor blades and fixed blades are made of SKD-11 (option) with long service life.
- 30 sec instant recycling system to keep regrind material free from color changing by oxidation or damping .
- Low speed at 25~30 rpm, power saving , less noise.
- This unit is driven by shaft gear-motor, no need oil.
- This series is suitable for granulating rigid&bristle resins-PC,PBT,ABS,Nylon etc.

### ● 产品结构图 Product Structure Diagram

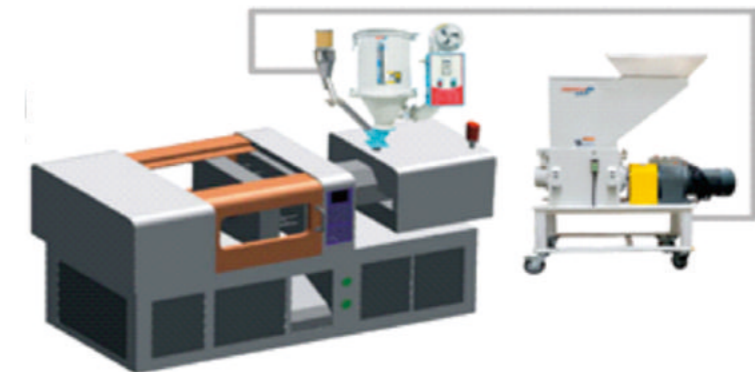


### ● 规格表 Specification Sheet

产品型号 MODEL	TGL-2526SB / TGL-2526SS	TGL-3232SB / TGL-3232SS	TGL-3243SB / TGL-3243SS
粉碎口径 Crushing Chamber (mm)	250 × 220	305 × 305	315 × 415
粉碎能力(以PP料为标准)Crushing Ability (Kg/h)	10~15	20~30	30~40
主轴转速 Revolutions (r/min)	20~22	20~22	20~22
刀具结构形式 Cutter Type	滚刀Rotary+S刀S Knife	滚刀Rotary+S刀S Knife	滚刀Rotary+S刀S Knife
旋转刀数量 Rotating Blades	S刀2件Two S+滚刀3件Three Rotary	S刀2件Two S+滚刀3件Three Rotary	S刀2件Two S+滚刀3件Three Rotary
固定刀数量 Fixed Blades	6	6	8
马达功率 Motor Power (HP)	1	2	3
机器总功率 Total Power (KW)	0.75	1.5	2.2
电源线规格 Wires Specifications (mm2)	4 × 1.5		
电源线长度 Wires Length (m)	5		
噪音 Noise Level (dB)	85		
碎料回收方式 Crushing Recycle Type	料箱式 Box    吸料式 Suction	料箱式 Box    吸料式 Suction	料箱式 Box    吸料式 Suction
外形尺寸 lmentsions LxHxW(m)	0.91 × 1.29 × 0.43    0.91 × 1.29 × 0.43	1.04 × 1.33 × 0.48    1.04 × 1.33 × 0.48	1.14 × 1.36 × 0.48    1.14 × 1.36 × 0.48
重量 Weight(Kg)	205	280	323

注：产品规格若有变更，恕不另行通知 We reserve right to change specifications without prior notice

### ● 吹料式回收系统流程图 Blown Material Type Recovery System Flowchart



### ● 新次料比例回收系统流程图 The Data of The Proportion of The New Recovery System Flow Chart

