

中速粉碎机TGM系列 TGM Series Middle Speed Granulators

TGM



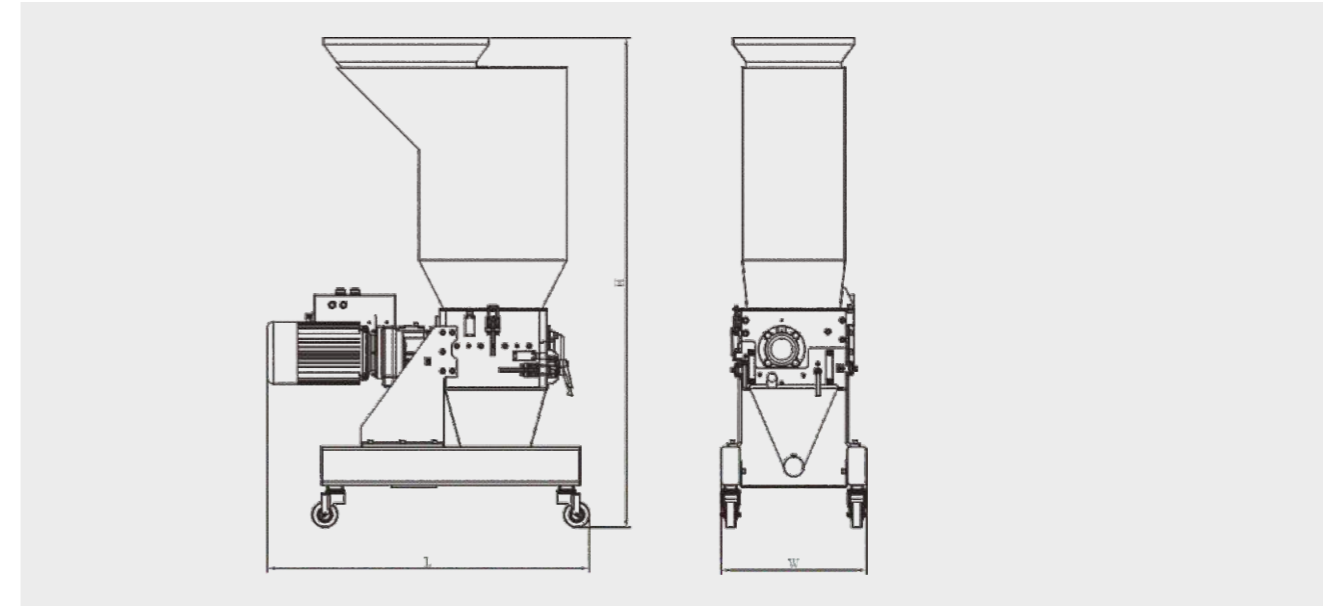
中速粉碎机适用于水口料之粉碎再利用，专门设计能粉碎较硬的工程塑胶，又可粉碎较软的通用塑胶。适中的转速将粉屑、噪音的产生及刀具磨损降到最低点，动刀与定刀都采用SKD-11材质，使用寿命长。具有粉尘少、低噪音、低能耗，操作简便，性能优异的优点，并且设置多种安全保护装置，确保操作安全。

Middle Speed Granulators are mainly used for crushing regrind materials WLto recycleand specially designed not only for rigid engineering plastics but also for soft plastics.WLThe proper speed rotation results in less powder,less noise, and low-wearable ofcutters. Both rotor blades and fixed bladesare made of SKD-11 with long service life.

● 特点 Features

- 投料斗采用双层不锈钢结构，美观坚固，隔音效果优秀。
- 粉尘少、低噪音、低能耗。
- 高品质的粉碎颗粒，低转速特制减速马达(150r/min)。
- 刀具材质采用优质SKD-11(选配)，经久耐用。
- 快速换刀与快速更换筛网设计，维修与保养非常简便。
- 能粉碎较硬的工程塑料，又可粉碎较软的通用塑料。
- 安全防护装置完善，性能稳定可靠。

- Feeding hopper employs double layers of stainless steel with superior sound-proof,durable structure & excellent appearance.
- Less powder, low noise, low consumption.
- This unit is driven by low speed motor (150 rpm). It can granulate detective parts into well-proportioned granules.
- Blades are made of SKD-11(option) with long service life.
- Rapid changing blades & screen design, easy maintenance.
- It is not only suitable for granulating rigid engineering plastics but also soft plastics.
- Safety protection device to comply with safety conformity,stable and reliable function.



● 规格表 Specification Sheet

产品型号 MODEL	TGM-2718CB	TGM-2718CS	TGM-2729CB	TGM-2729CS
粉碎口径 Crushing Chamber (mm)	275 × 180		275 × 290	
粉碎能力(以PP料为标准) Crushing Ability (Kg/h)	35~40		40~45	
主轴转速 Revolutions (r/min)	140~150			
刀具结构形式 Cutter Type	爪刀Claw+筛网Screen Netting			
旋转刀数量 Rotating Blades	18		30	
筛网孔径 Screen Netting Size	Φ6 Φ8 Φ10			
马达功率 Motor Power (HP)	3		4	
机器总功率 Total Power (KW)	2.2		3	
电源线规格 Wires Specifications (mm2)	4 × 1.5		4 × 2.5	
电源线长度 Wires Length (m)	5			
碎料回收方式 Crushing Recycle Type	料箱式 Box	吸料式 Suction	料箱式 Box	吸料式 Suction
外形尺寸 Imensions LxHxW(m)	0.85 × 1.43 × 0.46	0.85 × 1.43 × 0.46	0.98 × 1.53 × 0.46	0.98 × 1.53 × 0.46
重量 Weight(Kg)	260		280	

注：产品规格若有变更，恕不另行通知 We reserve right to change specifications without prior notice