

一体式自动上料机

One Piece Complete Type Autoloader

ISO9001:2000   SGS

SML 斯曼尔
www.nb-sml.com
sales@nb-sml.com



SAL-360



SAL-300C

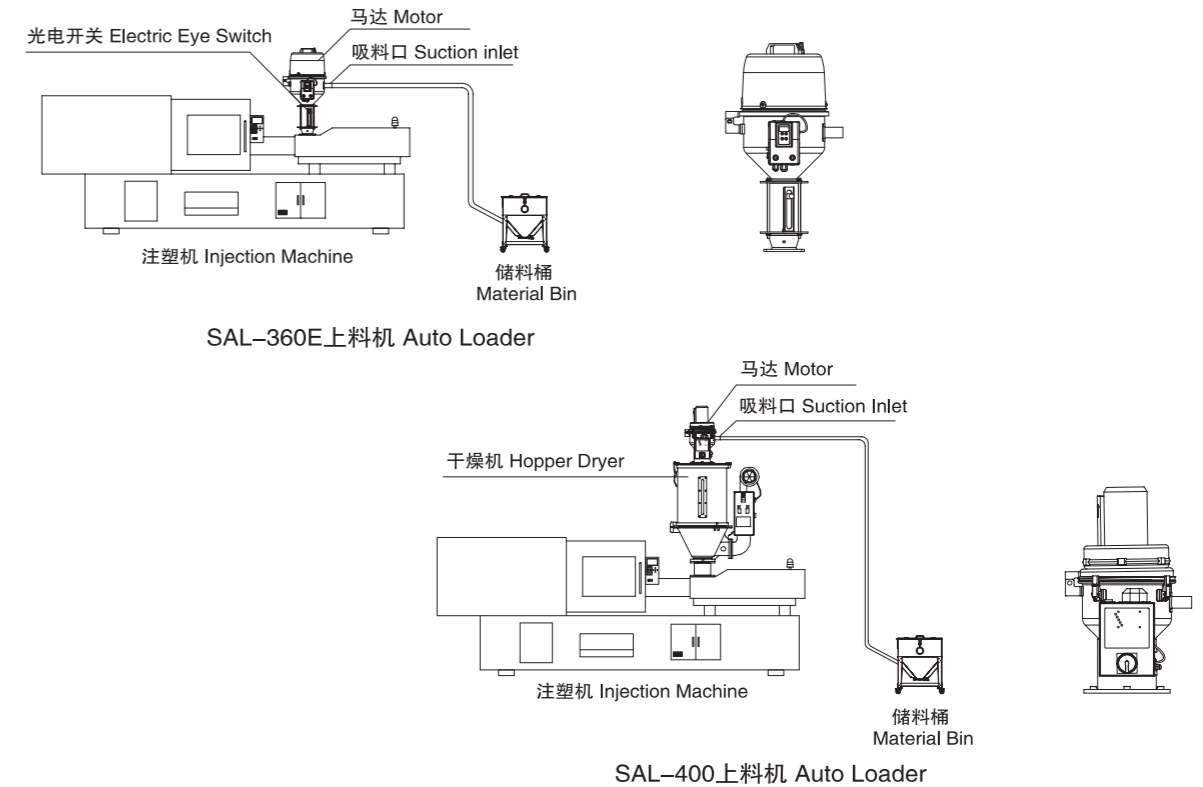


SAL-360E



SAL-400

安装示意图 Diagram of installation



性能特点 Performance characteristic

- 采用进口高速整流子马达，体积小，吸力强；
 - 操作控制器与电控箱用信号线连接，操作方便自由；
 - 微电脑控制，动作准确；
 - 外挂式的贮气装置，清除滤网上的粉尘更彻底；
 - 电子式的动作检测器，故障率极低；
 - 多重故障指示灯，方便客户了解发生故障的原因，及时作出处理。
- Imported high speed commutator motor, small cubage and strong suction.
 - Connection between operation controller and electric control box free and convenient operation.
 - Controlled by microcomputer, action precision.
 - Out hanged air storage device to thoroughly clean the dust on the strainer.
 - Electronic action detector and low fault rate.
 - Multi fault indicator lamp to facilitate the customer knowing the reason and handling in time.

规格表: Specifications

型号 Model	马达 Motor (kw)	输送能力 Conveying Capacity (kg/hr)	输送高度 Conveying Height (m)	料斗容量 Material Hopper Volume (L)	吸料管内径 Conveying Tube Calibre (mm)	外型尺寸 External Dimensions (cm)	重量 Weight (kg)
SAL-300C	1.1	250	4.5	6	Φ38	360×260×500	10
SAL-300CE	1.1	250	4.5	6	Φ38	360×260×600	10
SAL-360	1.1	300	4.5	12	Φ38	320×260×570	12
SAL-360E	1.1	300	4.5	12	Φ38	320×320×600	13
SAL-390	1.2	350	4.5	12	Φ38	400×300×500	19
SAL-390E	1.2	350	4.5	12	Φ38	400×300×500	19
SAL-400	0.75	350	4.5	12	Φ38	400×300×500	25

产品规格若有变更，恕不另行通知。We reserve the right to change specifications without prior notice.

产品规格若有变更，恕不另行通知。We reserve the right to change specifications without prior notice.