

# 注塑用机械手 TAKE-OUT ROBOT

**MDW-110**  
**MDW-110s**

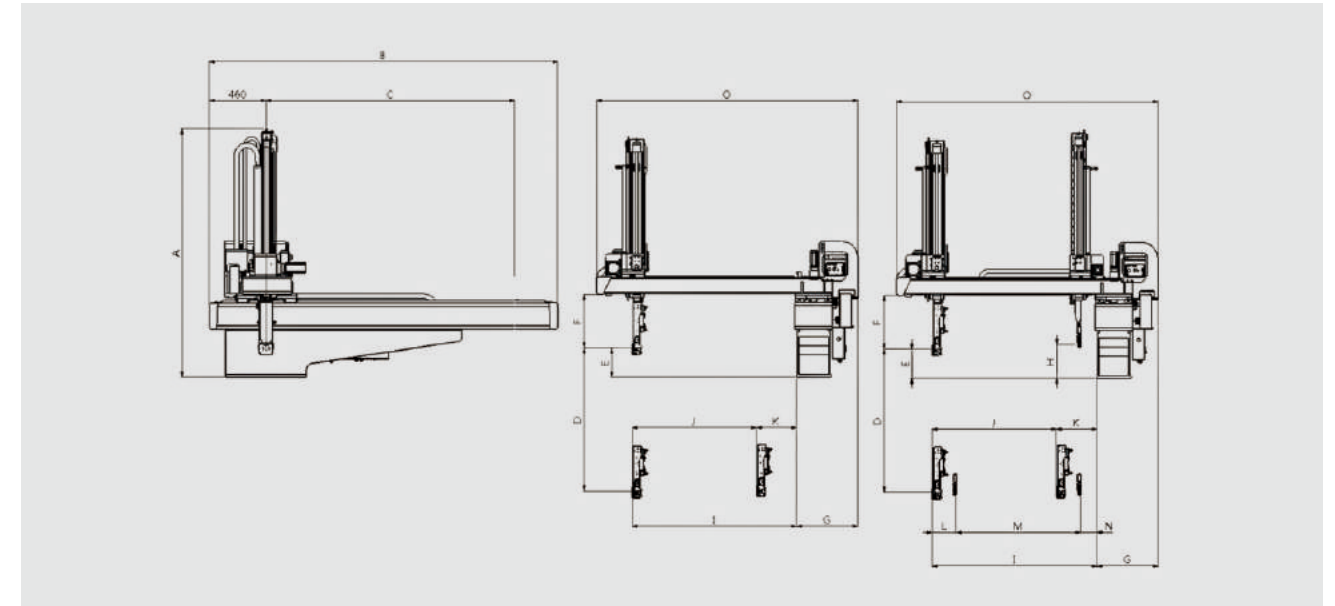


## 标准功能 STANDARD FUNCTION

- 装箱动作 (各轴256点)  
Packaging motion (Max. 256 points)
- 自由装箱点 (115点 × 2处)  
Free packaging motion (115points × 2stage)
- 取出侧前进姿势控制  
Forward and rotate at removing side
- 走行途中姿势  
Posture control during traverse
- 落下测下降途中姿势  
Posture midway descent at release side
- 顶针连动  
Ejector link
- 不良品排出回路  
Defective product reject circuit
- 初期不良品排出回路  
Initial defective product reject circuit
- 取向下降待机  
Delayed arm descent
- 胶口途中开放 (去程, 返程)  
Midway runner release (Move, Revert)
- 水口模内开放  
Runner release within mold
- 吸着确认单元 (2回路)  
Additional vacuum sensing unit (2 circuit)
- 横走行待机  
Delayed traverse
- 滑移取出回路  
Undercut extract circuit
- 输送带启动信号  
Start signal of conveyor
- 内部存储记忆 (最大100种类型)  
Internal memory (for Max 100 molds)
- 设定值锁定功能  
Lock function of setting value
- 固定可动切换  
Extraction from fixed mold
- 2国语言切换 (中文, 英文)  
Two language exchange (Chinese/English)

## 型式 MODEL 单位 UNIT MDW-110 MDW-110s

电源 Power Source	V	AC 220 ± 10% 50/60Hz	
最大消费电力 Max Power Consumption	KW	2	2.8
使用气压 Air Pressure	Mpa	0.5 ~ 0.7	
空气消费量 Air Consumption	Nl/cycle	18	27
驱动方式 Drive System	---	伺服马达 / AC Servo Motor	
姿势 (气缸) Posture (Air Cylinder)	---	90°固定 / 90°Fixed	
■ 气缸推力 (气压0.49MPa时) Air Cylinder Driving Force (Air Pressure at 0.49MPa)			
最大可搬重量 Max.Load	Kg	10 [含夹具重量 / Incl Chuck Weight]	
姿势力矩 Posture Torque	N · m	57.7	
■ 行程 Stroke			
主臂上下 Main-arm Vertical	mm	1500/1700	1500
副臂上下 Sub-arm Vertical	mm	---	1550
前后(主臂,副臂) Crosswise (M,S)	mm	主臂/M 175 ~ 1300	副臂/S 340 ~ 1300 120 ~ 1080
走行 Traverse	mm	2000/2500	
■ 本体重量 Net Weight			
本体 Main Body	Kg	592	636
操作盒 Pendant	Kg	1.6	



## 外形尺寸 OUTER DIMENSIONS MDW-110 MDW-110s

A	总高 Overall height	1930(2050)mm	1930mm
B	总长 Overall length	2805(3285)mm	
C	走行行程 Traverse stroke	2000(2500)mm	
D	主臂上下行程 Main-arm vertical stroke	1500(1700)mm	1500mm
E	主臂上下待机 Main-arm vertical standby	200mm	
F	夹具安装有效空间 Bottom of crosswise to chuck mount position	445mm	
G	基座侧面-箱体末端 Base side face-Box end	470mm	
H	副臂上下待机 Sub-arm Vertical standby	---	250mm
I	主臂前进最大值 Main-arm reach max	1300mm	
J	主臂前进最大行程 Main-arm crosswise stroke max	1125mm	960mm
K	主臂前后待机最小值 Main-arm crosswise standby min	175mm	340mm
L	主副臂接近最小值 Main/Sub-arm proximity min	---	220mm
M	副臂前进最大行程 Sub-arm crosswise stroke max	---	960mm
N	副臂前后待机最小值 Sub-arm crosswise standby min	---	120mm
O	前后臂末端-箱体末端 Crosswise arm end-Box end	2105	

- 当尺寸C是2000mm时, 尺寸B为2805mm
- when dimension C is 2000mm, B is 2805mm
- 当尺寸D是1500mm时, 尺寸A为1930mm
- when dimension D is 1500mm, A is 1930mm

- 当尺寸C是2500mm时, 尺寸B为3285mm
- when dimension C is 2500mm, B is 3285mm
- 当尺寸D是1700mm时, 尺寸A为2050mm
- when dimension D is 1700mm, A is 2050mm

## 选项功能 OPTION FUNCTION

- ◆ 夹具内剪刀回路  
Air nipper in chuck circuit
- ◆ NT剪切·可动侧  
NT gate cutting on crossmember of moving
- ◆ 吸着确认4回路  
Additional vacuum sensing unit (4 circuits)
- ◆ 制品夹取4回路  
Product gripping 4 circuits
- ◆ 上升途中闭模  
Mold close during ascend
- ◆ 回转单元  
Rotation unit
- ◆ 顶针后退连动  
Ejector return link
- ◆ 欧规12  
EUROMAP12
- ◆ 欧规67  
EUROMAP 67