

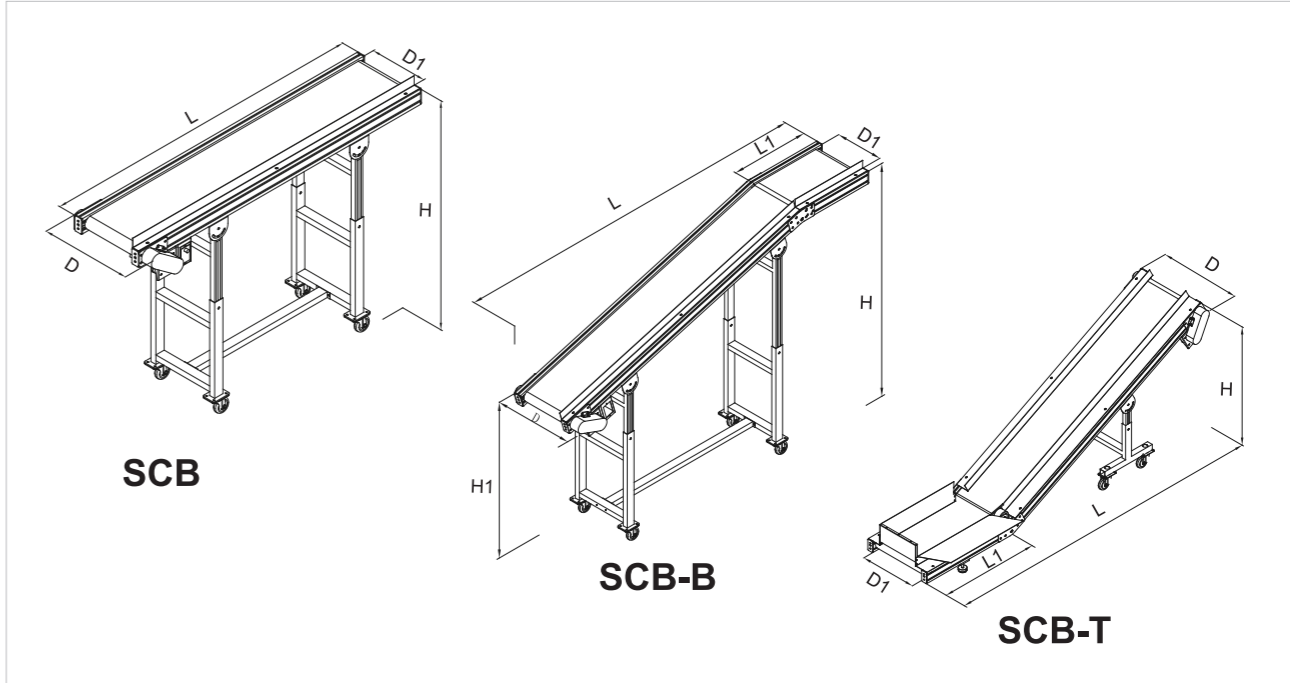
# 输送机 Belt Conveyor

ISO9001:2000 CE SGS

**SML 斯曼尔**  
www.nb-sml.com  
sales@nb-sml.com



## 安装示意图 Diagram of installation



## 性能特点 Performance characteristic

- 输送带设有松紧装置，保证输送可靠运行；
- 输送机长度可根据客户要求订制；
- 输送机高度可在一定范围内调整；
- 输送机配备落料挡块；
- Belt conveyor equips with elastic adjusted device to ensure the reliable running.
- The length of Belt conveyor can be customized according to the customer's requirement.
- The height of Belt conveyor can be adjusted within limits.
- Belt conveyor equips with baffle plate for blocking the products & materials to avoid being down.

## 规格表: Specifications

型号 Model	功率 Power (W)	输送速度 Conveying Speed (m/min)	皮带宽度 Belt width (mm)	重量 Weight (kg)	L (mm)	L1 (mm)	D (mm)	D1 (mm)	H (mm)	H1 (mm)
SCB-200	90	0-9.5	200	55	1500		345	200	900-1100	
SCB-300	90	0-9.5	300	60	1500		445	300	900-1100	
SCB-400	90	0-9.5	400	70	1500		545	400	900-1100	
SCB-500	90	0-9.5	500	85	1500		645	500	900-1100	
SCB-200B	90	0-9.5	200	90	2420	435	345	200	1400-1500	950-1050
SCB-300B	90	0-9.5	300	110	2420	435	445	300	1400-1500	950-1050
SCB-400B	90	0-9.5	400	120	2420	435	545	400	1400-1500	950-1050
SCB-500B	90	0-9.5	500	145	2420	435	645	500	1400-1500	950-1050
SCB-200T	180	9	200	97	2600	620	465	200	1050-1150	
SCB-300T	180	9	300	112	2600	620	565	300	1050-1150	
SCB-400T	180	9	400	127	2600	620	665	400	1050-1150	
SCB-500T	180	9	500	150	2600	620	785	500	1050-1150	