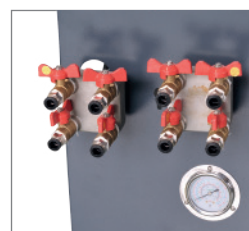


# 模具控温机

## Mold Temp. Controller

ISO9001:2000 CE SGS

**SML 斯曼尔**  
 www.nb-sml.com  
 sales@nb-sml.com

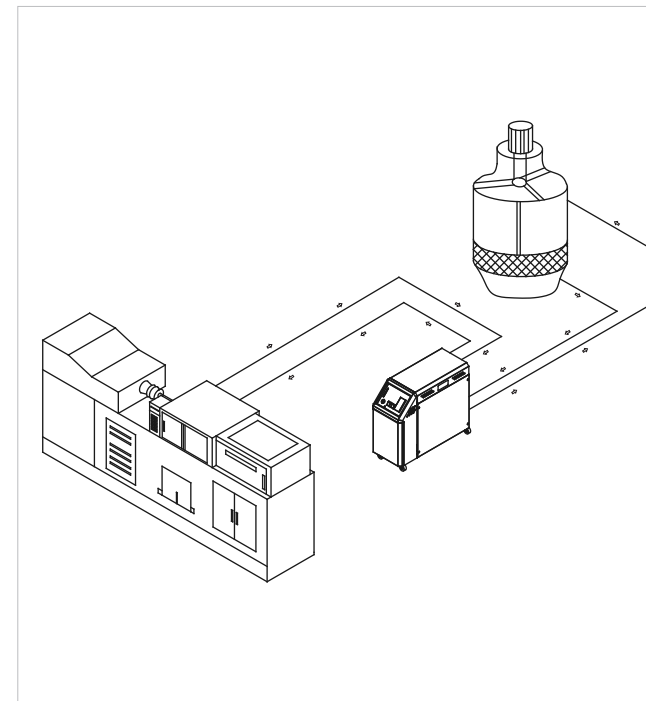
**STC-**


### 性能特点 Performance characteristic

- 采用PID微电脑控制，控温准确；
- 水（油）泵过载保护，有效保障其使用寿命；
- 低液位报警装置，保证系统运行安全；
- 主电源切断开关，符合CE安全标准；
- 本机装有逆相报警功能；
- 多重异常指示装置，让客户清楚了解故障原因，故障及时得到解决；
- 加热桶采用不锈钢制造，清洗容易；

- Controlled by PID micro computer, accurate temperature control.
- Pump overload protection to ensure service life effectively.
- Alarm device for low liquid level to guarantee system running safety.
- Switch of main power source conforms to CE safety standard.
- Alarm device for Phase reverse to guarantee system running safety.
- The device is equipped with multi-fault indicator to facilitate the customer knowing the reason and solving in time.
- The heating barrel is made from the stainless steel and cleaned easily.

### 安装示意图 Diagram of installation



### 规格表: Specifications

型号 Model	最高温度 Max Temp. °C	电热 Heat (kw)	泵浦功率 Pump (kw)	流量 Flux L/min	加热媒介 Heating Medium	冷却方式 Cooling Mode	模具接头 Mold Tie (Inch)	外型尺寸 External Dimensions (L×W×H)	重量 Weight (kg)		
STC-6W	95	6	0.37	45	水 Water	直接冷却 Direct Cooling	3/8"2×2	780×260×650	40		
STC-9W	95	9	0.75	56			3/8"4×2	780×260×650	45		
STC-12W	95	12	1.5	80			3/8"6×2	780×260×650	50		
STC-18W	95	9×2	1.5	200			3/8"6×2	900×400×810	55		
STC-24W	95	12×2	2.2	315			3/8"6×2	900×400×810	60		
STCH-6W	160	6	0.37	45			油 Oil	间接冷却 Indirect Cooling	3/8"4×2	900×400×810	50
STCH-9W	160	9	0.75	56	3/8"4×2	900×400×810			52		
STC-6	160	6	0.37	45	3/8"2×2	780×260×650			45		
STC-9	160	9	0.75	56	3/8"4×2	780×260×650			50		
STC-12	160	12	1.5	80	3/8"6×2	780×260×650			55		
STC-18	160	9×2	1.5	200	3/8"6×2	900×400×810			60		
STC-24	160	12×2	2.2	315	3/8"6×2	900×400×810			65		
STC-6W-2D	95	6×2	0.37×2	45×2	水 Water	直接冷却 Direct Cooling			3/8"2×4	900×400×810	60
STC-9W-2D	95	9×2	0.75×2	56×2					3/8"4×4	900×400×810	65
STC-6-2D	160	6×2	0.37×2	45×2	水、油 Oil	间接冷却 Indirect Cooling			3/8"2×4	900×400×810	70
STC-9-2D	160	9×2	0.75×2	56×2			3/8"4×4	900×400×810	75		
STCH-6WZ	160	6	0.55	45	水 water	间接冷却 Indirect Cooling	3/8"4×2	910×340×800	50		
STCH-9WZ	160	9	0.75	56			3/8"4×2	910×340×800	50		
STCH-12WZ	160	12	1.1	80			3/8"4×2	910×340×800	55		

**STCH-**
