

# 油式模温机 Oil Type Mold Temperature Controllers

TTO

## ● 特点 Features

- 电控箱与机身隔离，隔热效果佳，电器使用寿命长。
- 模温机专用触摸屏控制器，控温更合理，省电35%以上。
- 安全保护及故障指示系统完善，维修方便无需专业人员。
- 进口高级组件，使用年限长。
- 升降温速度快，温度精确稳定，可达  $\pm 0.1^{\circ}\text{C}$ 。
- 独特的加热设计，适合不同温控场所使用，节能效果明显。
- 主管路采用304不锈钢一体成型，管损小，加热均匀，使用寿命长。
- 开机自动排气功能。
- 吹气回油功能。
- Electronic control panel and machine body are isolated to acquire good effects on heat insulation in order to extend the service life of electrical components.
- P.I.D multi-stage temperature control system can save power up to 35% thanks to control temperature accurately & reasonably.
- Perfect safety protection and error indication display which are easily maintained and repaired, even without professionals can do it.
- Imported hi-class parts with long service life.
- Rapid heating and cool down speeds lead temperature to be kept precisely and stably with accuracy up to  $\pm 0.1$ .
- Unique heating design are suitable to different temperature control application with excellent & distinct power saving.
- 304 stainless steel integrated pipelines with less pipe resistance and even heating for long service life.
- Automatic air-exhausting function after startup.
- Air blowing and return oil function.



使用油为传热媒介，以间接冷却方式达到热交换，具有控温范围大，热稳定性好等优点。标准型温度控制达200℃，高温型已达300℃。

Oil Type Mold Temperature Controllers use oil as heating media to realize heat exchange by indirect cooling. Oil type has its superiorities with wide temperature controlled range and excellent heat stability. Standard heating temperature can reach at 200℃ while high temperature type can reach 300℃.

## ● 安全保护及指示系统 Safety Protecting and Indiction System

- 电源欠相保护  
Safety Protection and Indiction System
- 总电源无熔丝断路器  
Power lack-phase protection
- 泵反转保护及指示灯  
Non-fuse circuit breaker for protecting power supply
- 泵过载保护及指示灯  
Pump reverse protection and indicating lamp
- 缺水保护及指示灯  
Water shortage protection and indicating lamp
- 过热保护及指示灯  
Overheat protection and indicating lamp
- 热油By-pass 压回路  
Hot oil by-pass pressure release loop
- 强制冷却  
Forced cooling
- 温度异常警报  
Abnormal temperature alarm
- 异常警报蜂鸣器  
Abnormal alarm buzzer
- 缺油保护及指示灯  
Oil shortage protection and indicating lamp

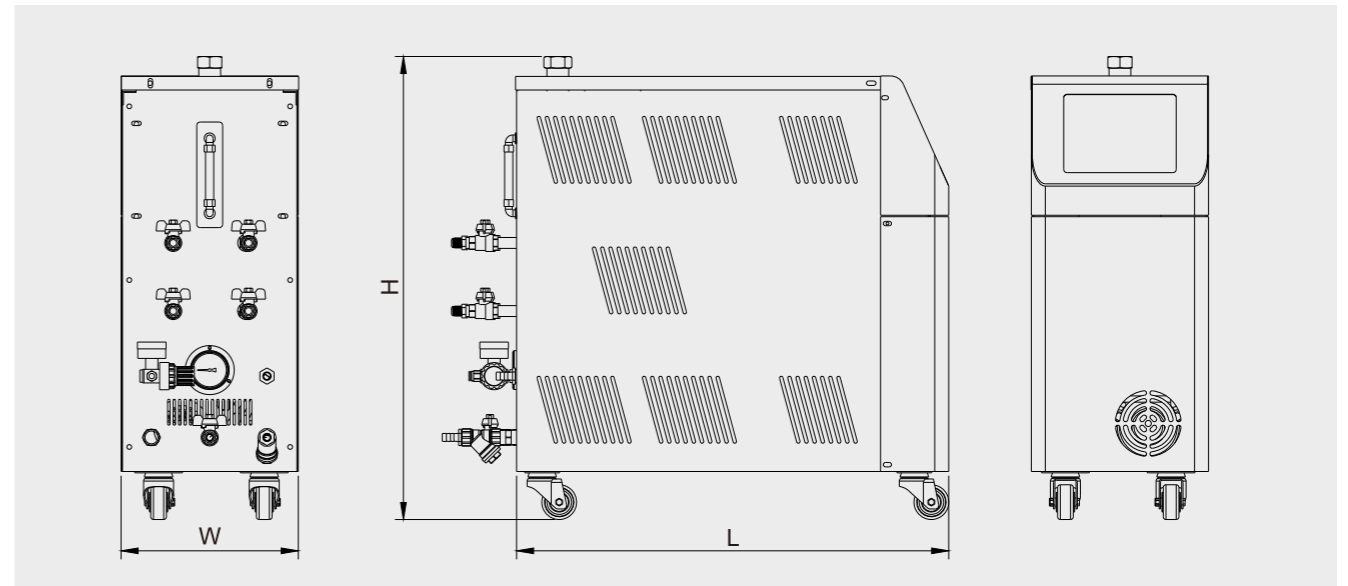


双温油式模温机  
Dual-purpose oil type mold  
temperature controller

## ● 选择加装配件 Options

- 感温棒接到外部配线  
Thermocouplen for connecting external wiring
- 回油温度显示器  
Thermometer for return oil
- 防漏电保护开关  
Leakage protection switch
- 电压异常保护开关  
Abnormal voltage protection switch
- 铁弗龙管  
Teflon hose

## ● 产品结构图 Product Structure Diagram



## ● 规格表 Specification Sheet

产品型号Model	TTO-2005B	TTO-2010B	TTO-2020B	TTO-3010B	TTO-2005DB	TTO-2010DB	TTO-2020DB	
加热器功率 Heater Power	KW	6	9	9	12	6×2	9×2	12×2
传热媒介 Heat Transfer Medium		油 Oil						
冷却方式 Cooling Method		间接冷却 Indirect						
冷却水压要求 Min. Water Pressure	Kg/cm2	2~5						
冷却水配管 Cooling Water Pipe		PT1/2						
最高使用温度 Max. Working Temp	℃	200	200	200	300	200	200	200
最低使用温度 Min. Working Temp	℃	进油温度+15℃ Inlet Temp.+15℃						
温控精度 Temperature Control Accuracy	℃	± 1℃						
热水配管 Hot Water Pipe		2进2出PT3/8 2in2outPT3/8	4进4出PT3/8 4in4outPT3/8	4进4出PT3/8 4in4outPT3/8	4进4出PT3/8×2 4in4outPT3/8×2	4进4出PT3/8×2 4in4outPT3/8×2	4进4出PT3/8×2 4in4outPT3/8×2	
冷却能力 Cooling Capacity	Kcal/H	8000	9000	19000	95000	16000	18000	18000
水泵功率 Pump Power	HP	0.5	1	2	1	0.5×2	1×2	2×2
水泵流量 Pump Flow	L/min	61	63	191	71	61×2	63×2	191×2
油箱容量 Oil Tank	L	7	7	19	13	7×2	7×2	50
水泵扬程 Water pump lifts	M	28	38	26	磁力泵45m	28	38	26
系统电源 Power Supply	V	380VAC 3P/PE 50Hz						
机器总功率 Total Power	KW	6.5	9.9	10.7	12.9	13	19.8	27
电源线规格 Wires Specifications	mm2	4×4			4×6		4×10	
电源线长度 Wires Length	M	5						
外观尺寸 Dimensions LxHxW	M	0.635×0.65 ×0.26	0.67×0.7 ×0.29	1.15×0.94 ×0.45	1×0.89 ×0.35	0.635×0.65 ×0.52	0.67×0.7 ×0.58	1.4×0.99 ×0.7
机器重量 Weight	KG	60	70	100	155	110	130	190

注：产品规格若有变更，恕不另行通知。 We reserve right to change specifications without prior notice.