

## 料杯 Hopper Receivers



Mr系列

FSR系列

SR系列

CSR系列

### ● 特点 Features

- ER/FSR系列接触原料部分采用不锈钢材质结构, SR/CSR/FSR系列采用全不锈钢材质结构, 确保原料不受污染, 用以提供分离式吸料机选用。
- 均采用不锈钢落料挡板, 不需随不同原料而调整。
- FSR/SR/CSR系列法兰座底与料斗之间采用卡箍锁住, 便于拆卸。
- CSR系列采用分离阀, 几台中央式吸料机共用一台马达使用中央供料系统。
- FSR系列特别针对光学级产品设计, 减少粉末对产品影响, 提升产品良率。
- 均装配射式光电开关, 适于直接安装成型机入料口; 装配近接开关, 适于直接安装成型机料斗上。
- 均采用玻璃料管搭配静电容传感器设计, 可精确侦测原料输送。
- 均装配不锈钢滤网, 可以及时清除积尘。
- Stainless steel construction used by ER/FSR series for ensuring material free and for all structural by SR/CSR/FSR series from contamination that working with detachable autoloaders.
- Mechanical stainless flap fitting on ER/SR/CSR series that need not to be adjusted according to different material.
- With hopper receivers and bases are locked by hinge, FSR/SR/CSR series is easy for dismantle.
- A diaphragm valve fitting on CSR series if several central hopper receivers want to share same blower for centralized feeding system.
- FSR series is particularly designed for optic product use for reducing powder to cause any defects for enhancing productivity qualities.
- Autoloaders equip with photo sensors which are mounted onto the feeding port of injection molding machines; autoloaders equip with proximity switch which are mounted onto the hopper dryers.
- To adopt glass tube with photo sensor ( static capacity detection) for precisely detect material conveying..
- To be fitted with stainless screener for easy filtering dust.

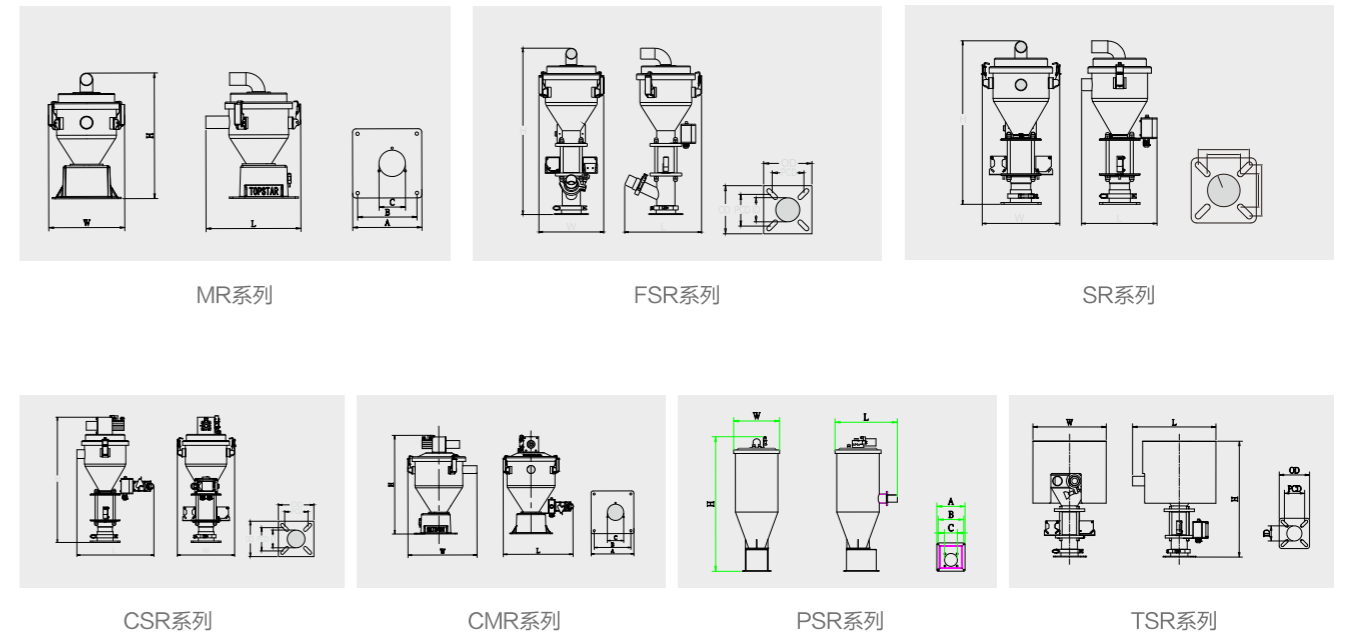
料杯可控制吸料机之吸料动作顺畅。提供不同料杯系列-普通型料杯, 不锈钢料杯, 光学级料杯等供客户有多样性的选择。使用不锈钢材质, 确保原料不受污染, 搭配透明强化玻璃设计, 容易监看料位情况, 特别适用于光学级产品所使用。可直接安装在注塑机上或配合吸料机使用, 清料, 换料等工作更为得心应手。

主要分为: 普通型料杯ER系列、沸腾式不锈钢料杯FSR系列、不锈钢料杯SR系列、中央式不锈钢料斗CSR系列。

Hopper Receivers are fitted with sensors to control materials suction smoothly. Diverse Hopper Receivers – standard type, stainless type and for optics type are provided according to customers' various requirements. Stainless hopper receivers ensure no contamination to raw materials and they are equipped with see-through window to monitor materials levels which are especially suitable for application of optics. They can be mounted onto plastic injection molding machines directly or to work with separated autoloaders and give more convenient on cleaning or changing materials. Including,

ER Series Standard Hopper Receivers、FSR Series Optics Stainless Steel Hopper Receivers、SR Series Stainless Steel Hopper Receivers、CSR Series Central Stainless Steel Hopper Receivers.

### ● 产品结构图 Product Structure Diagram



MR系列

FSR系列

SR系列

CSR系列

CMR系列

PSR系列

TSR系列

### ● 规格表 Specification Sheet

产品型号 Model	MR-3	MR-6	MR-12	CMR-3	CMR-6	CMR-12	CMR-24	CMR-48	PSR-6	PSR-20	TSR-1E	SR-02E	SR-1E	SR-3E	SR-6E	SR-12E	SR-24E	CSR-3E	CSR-6E	CSR-12E	CSR-24E		
料斗容量 Opper Capacity	L	3	6	12	3	6	12	24	48	6	20	1	0.2	1	3	6	12	24	3	6	12	24	
输送能力 Conveying Ability	kg/h	70	140	200	70	140	200	320	500	140	250	30	10	30	70	140	200	320	70	140	200	320	
感应类型 Sensor Type	磁感应 Magnetic induction										光电式 Photoelectric												
料管口径 Hose Size	mm	φ 38.1 ( φ 50.8 )						φ 50.8 ( φ 63.5 )		φ 38.1 ( φ 50.8 )		φ 38.1		φ 38.1 ( φ 50.8 )									
过滤类型 Filter Type	金属网 Metal mesh ( 304/ 1.2t/ φ 2 × 2 )								滤袋 Sleeve / 10 μ m		金属网 Metal mesh ( 304/ 1.2t/ φ 2 × 2 )												
外观尺寸 Dimensions	L(m)	0.29	0.34	0.405	0.288	0.34	0.405	0.455	0.52	0.455	0.526	0.29	0.137	0.168	0.218	0.259	0.382	0.382	0.205	0.259	0.382	0.393	
	W(m)	0.23	0.275	0.331	0.231	0.275	0.331	0.325	0.406	0.325	0.36	0.29	0.175	0.169	0.289	0.316	0.385	0.385	0.362	0.389	0.457	0.465	
	H(m)	0.38	0.462	0.475	0.382	0.462	0.475	0.765	0.898	0.911	1.167	0.459	0.285	0.305	0.512	0.592	0.629	0.844	0.585	0.668	0.658	0.879	
固定尺寸 Size	A(m)	0.21						0.2			0.095												
	B(m)	0.18										0.06											
	C(m)	0.092						0.091			0.06												
机器重量 Weight	KG	6	7	8	6.5	7.5	8.5	9	10	6.5	7.5	5	4.5	5	6	7	8	9	6.5	7.5	8.5	9.5	

注: 产品规格若有变更, 恕不另行通知。 We reserve right to change specifications without prior notice.